



VOIP KNSP-18-IP-Y Waterproof Telephone

DESCRIPTION ITEM NO.

1. Robust SMC 2600 glass fibre reinforced polyester die-cast body, Vandal & tamper-resistant hardware, easy Installation.
2. Full keypad with memory, 3 button programmable telephone, support free dial.
3. temperature range from -40 degree to +70 degree.
4. Magnetic reed hook-switch.
5. DC input overvoltage overcurrent protection and RJ 45 surge protection.
6. Heavy Duty handset with hearing Aid compatible(HAC) receiver, Noise canceling microphone.
7. Handset with industrial armored cord .
8. Stainless steel keypad keep waterproof and dusty proof. 9. Temperature range from -40 degree to +70 degree. 10. Support echo cancellation.
11. Remote software upgrade, configuration and monitoring.
12. Optional 7 minute time-limited call.(This function upon buyer's requirement).
13. Powder coated in UV stabilized polyester finish.
14. Application: Tunnel, metro, railway, LRT, speedway, marine, ship, offshore, mine, power plant, bridge etc.
15. 3 SIP registration
16. Can be Wall-mount and also desktop
17. armored cord
18. Outdoor use IP66



SPECIFICATION

VoIP SIP2.0 telephone	DTMF dialing	Audio Codes:G.711, G.723,G.726, G.729
MTBF:100000hours	MTTR: 2 hours	Network:10/100 BaseTX Ethernet, RJ45 connectors, Cat5e or better
Hot-line (maximum length of each number is 16 digits)		IP Protocols:IPv4, TCP, UDP, RTP, DHCP, SIP
Communication: Full duplex 2-way hands-free communication		1 x LAN Protocols:Power over Ethernet(PoE,802.3af),
Call Control Signaling:VOIP SIP Info(DTMF), RFC 2833(DTMF)		1x LAN(IEEE 802.3af), Network Access Control(IEEE 802.1x),STP(IEEE 802.1d), RSTP(IEEE 802.1d-2004)
Power:Power over Ethernet, IEEE802.3af, Class 0		Programming:Non-volatile flash memory programming and configuration through Web GUI
Local power, 12VDC,Idle 2W, Max 10W		Management and Operation:DHCP and static IP, remote automatic software upgrade, centralized monitoring.
Auxiliary Contacts: (option)		Echo cancellation code:G.167/G.168
1 Aux Output, dry contact		
Contact Ratings. Load: Resistive load		
Rated load:0.3 A at 125 VAC; 1 A at 30 VDC		
Rated carry current:1A		
Max.switching voltage:125 VAC,30VDC		
Max.switching current:1A		

Order information:

Model number	Power Supply	Item Number
KNSP-18-IP-Y_AD	DC12V 1A	SP0180112
KNSP-18-IP-Y_P	POE	SP0180042
KNSP-18-IP-Y_ADP	DC12V 1A +POE	SP0180202

*AD---Adapter UL (Input : AC110~240V , Output : DC12V 1A)

*P---POE

CERTIFICATION

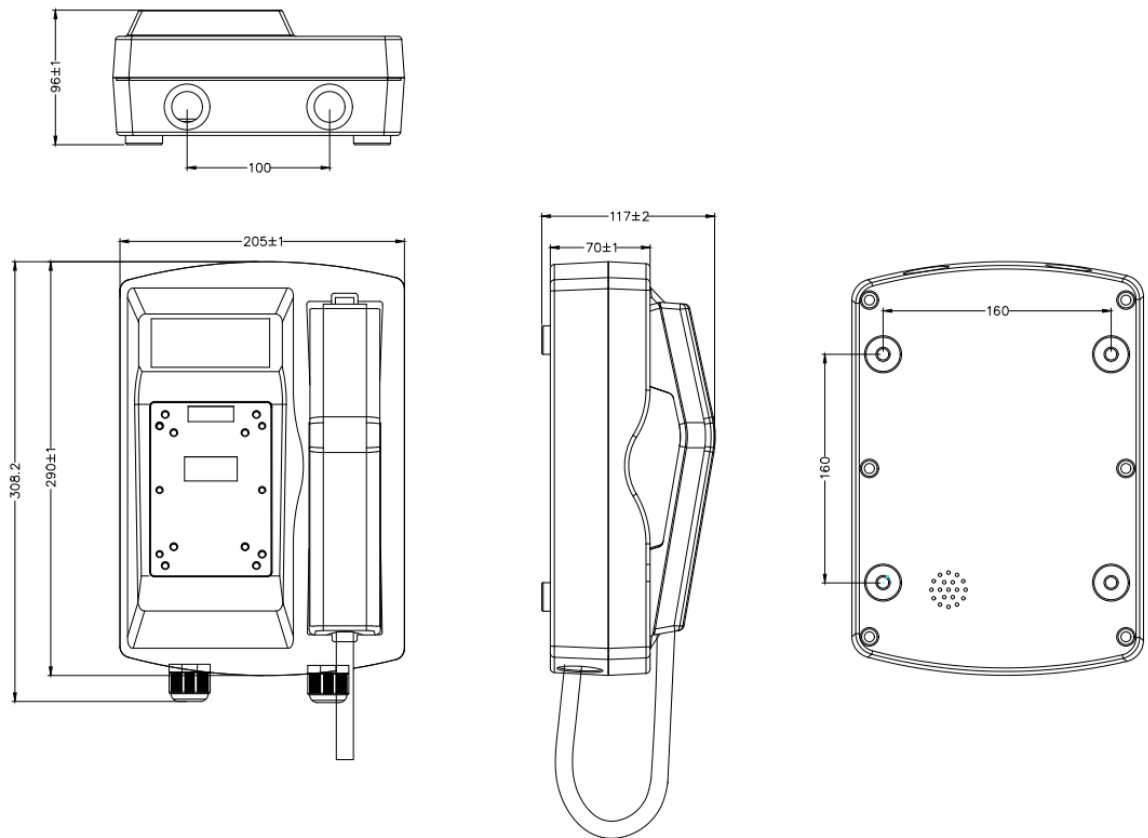
Australian communications:AS/CA S004
Australian Equipment-safety: AS/NZS 60950.1:2015
RCM: AS/NZS CISPR 32
EMC:EN55032, EN55024,EN61000-3-2.



HONGKONG KOON TECHNOLOGY LTD

TEL:0086755 29790158/27448753 Fax:0086755 29790278
Email:marketing@koontech.com www.koontech.com

INSTALLATION

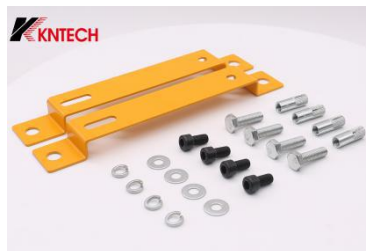


PACKING

Unit size: 290 * 205 * 117mm N.W: 4KG

1pcs packing box size: 332*210*125mm N.W: 4.79KG

6pcs in 1 outer Carton box: size: 670*352*315mm N.W: 30.5KG



HONGKONG KOON TECHNOLOGY LTD

TEL: 0086755 29790158/27448753 Fax: 0086755 29790278
Email: marketing@koontech.com www.koontech.com